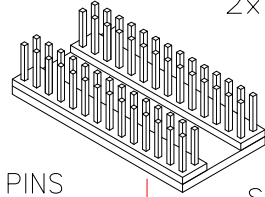


\*OPTIONAL\*  
 .10" TRANSITION  
 PCB ASSEMBLY

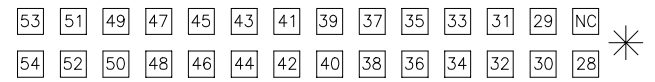
A

0.025" SQ. PINS  
 2x14x.10" GRID

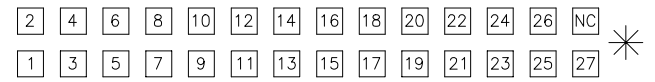


B  
 0.025" SQ. PINS  
 2x14x.10" GRID

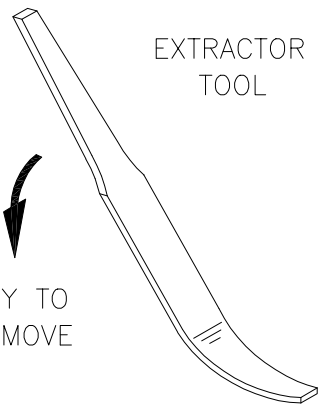
SOCKETS  
 4x14x.05" GRID



PINOUT OF 2 X 14  
 CONNECTOR "A"  
 ON TRANSITION BOARD



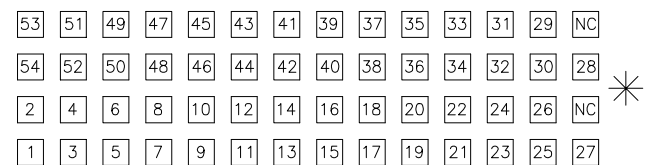
PINOUT OF 2 X 14  
 CONNECTOR "B"  
 ON TRANSITION BOARD



EXTRACTOR  
 TOOL

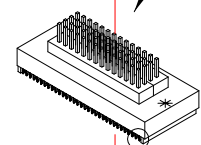
PRY TO  
 REMOVE

0.015" SQ. PINS  
 4x12x.05" GRID

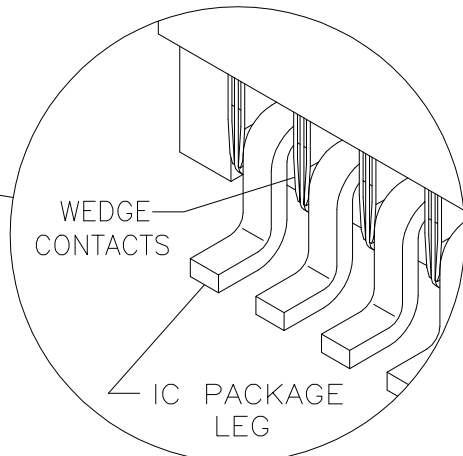
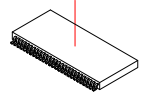


PINOUT OF 4 X 12 CONNECTOR  
 TOP VIEW OF DELTA Probe™

DELTA PROBE™



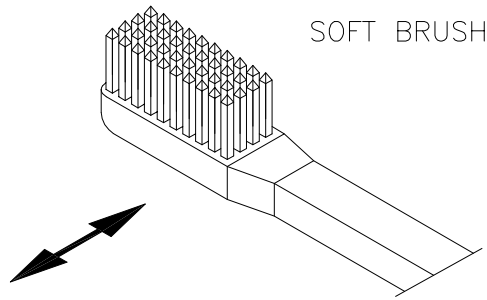
TSOP IC  
 PACKAGE



WEDGE  
 CONTACTS

IC PACKAGE  
 LEG

SOFT BRUSH



54 PIN TSOP