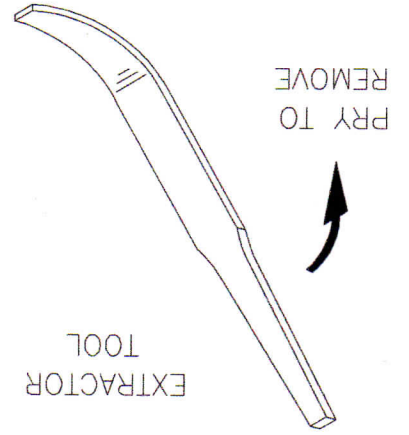
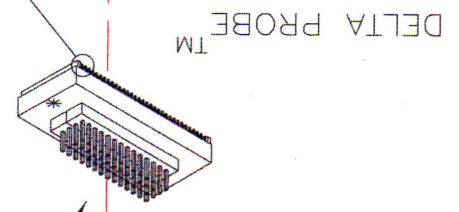
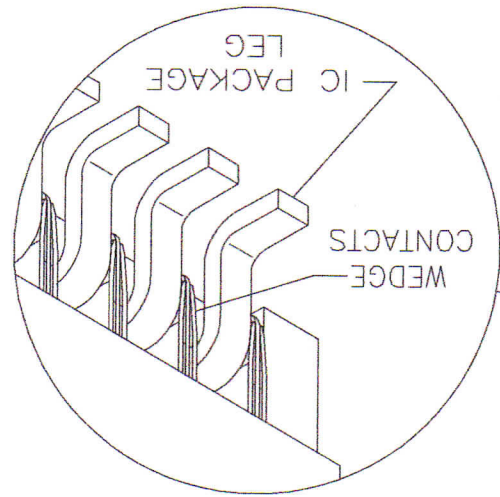
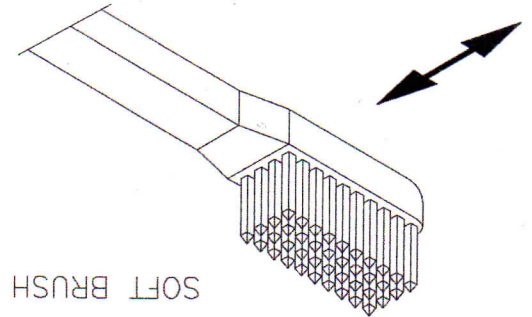


50 TSOP DELTA PROBE



0.015" SQ. PINS  
4x12x.05" GRID

PINOUT OF 4 X 12 CONNECTOR  
TOP VIEW OF DELTA Probe™

49	47	45	43	41	39	37	35	33	31	29	27	NC	NC
50	48	46	44	42	40	38	36	34	32	30	28	26	NC
2	4	6	8	10	12	14	16	18	20	22	24	NC	NC
1	3	5	7	9	11	13	15	17	19	21	23	25	NC

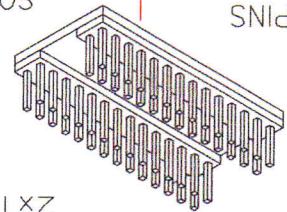
PINOUT OF 2 X 14  
CONNECTOR "B"  
ON TRANSITION BOARD

2	4	6	8	10	12	14	16	18	20	22	24	NC	NC
1	3	5	7	9	11	13	15	17	19	21	23	25	NC

PINOUT OF 2 X 14  
CONNECTOR "A"  
ON TRANSITION BOARD

49	47	45	43	41	39	37	35	33	31	29	27	NC	NC
50	48	46	44	42	40	38	36	34	32	30	28	26	NC
1	3	5	7	9	11	13	15	17	19	21	23	25	NC

SOCKETS  
4x14x.05" GRID



0.025" SQ. PINS  
2x14x.10" GRID

0.025" SQ. PINS  
2x14x.10" GRID

\*OPTIONAL  
.10" TRANSITION  
PCB ASSEMBLY

8826 NC